

DSA

Shut-off Damper

Description

The DSA type air shut-off dampers are designed for shutting air flow in rectangular ducts.

Properties

DSA type dampers are compatible with DIN 1946, Part 4 leakage class. The damper can be operated either manually or by an optional servomotor.

Materials

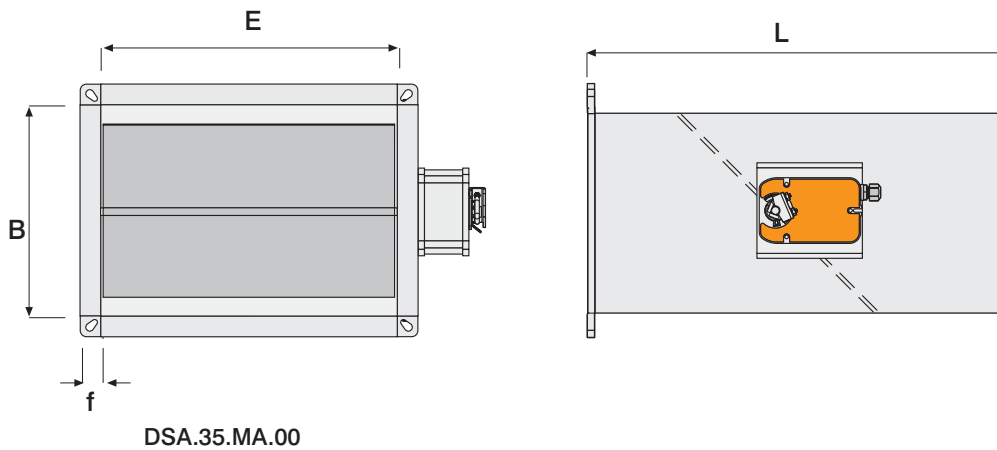
The casing and the blade are manufactured from 1.2 mm galvanized steel sheets and the isolating element is of felt.

Accessories

Servomotor

BELIMO maintenance-free servomotors are optionally installed on the damper bodies.

Dimensions



Standard Dimensions

E x B (mm)	L (mm)
150 x 150	250
200 x 200	300
250 x 250	350
300 x 300	400
350 x 350	450
400 x 400	500
450 x 450	550
500 x 500	600

Flange

f (mm)
30
35

Installation

Installed directly in the ducting

Specification Text

Rectangular duct type air shut-off damper. The body and blades will be manufactured from 1.2 mm thick galvanized steel sheets. The unit will be suitable for use in hygienic systems, conforming to DIN 1946 Part 4 leakage class. The

blade will be operated manually, or as an option, by a servomotor. The damper body will have flanges on the body, compatible with 30 and 35 mm standard duct flanges.

Oder Code

Model	DSA.30.MA.00-300 x 200		
Frame	30 mm 35 mm		ExB (mm) Refer To Page 3
Accessories	AA ..Without Servomotor MA .With Servomotor		
Insulation	00... Without Insulation		Standard Dimensions

D

DSA

Shut-off Damper

KES KLİMA

INDUSTRIAL AND TRADE CO.

Uzay Çağı Caddesi No:10

06370 Östim/ANKARA

Phone :+90.312.385 76 57

Fax :+90.312.354 12 31

www.kesklima.com



TÜV Rheinland Group



DIN EN ISO 9001:2000

Zertifikat: 01 100 042854